

ELECTRIC THERMAL RADIATOR

TECHNICAL DATA SHEET

MODELS

Código	Potencia (w)	Nº Elem	Dimensiones (mm)	Dimensiones Embalaje (mm)	Peso Neto (Kg)	Peso Bruto (Kg)
SOL0500	500	3	335 x 580 x 95	391 x 641 x 126	7,0	7,62
SOL0750	750	4	415 x 580 x 95	471 x 641 x 126	8,9	9,62
SOL1000	1000	6	575 x 580 x 95	631 x 641 x 126	12,5	13,5
SOL1500	1500	9	815 x 580 x 95	871 x 641 x 126	17,7	18,79
SOL1800	1800	11	975 x 580 x 95	1031 x 641 x 126	21,3	22,54

CHARACTERISTICS

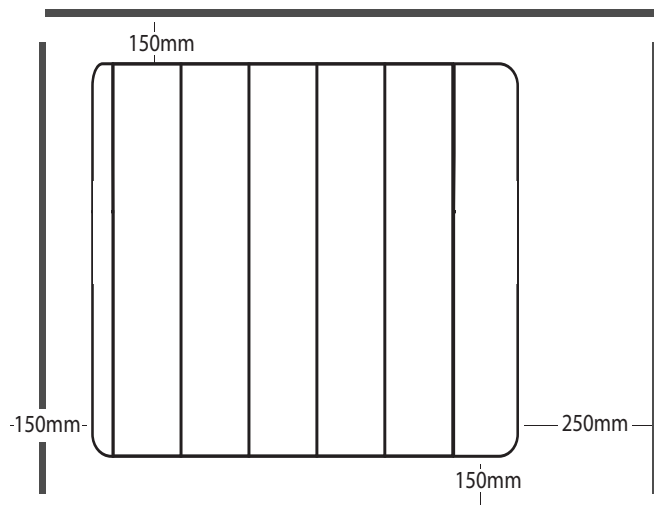
- Fluid radiator.
- High thermal inertia.
- Efficient consumption.
- Easy to use function.
- Daily+weekly programming.
- Comfort mode.
- Economic mode.
- Anti-freeze mode.
- Timer mode.
- Open windows function.
- Baby Care function
- Keypad lock.
- Intelligent temperature control system (ITCS).
- Temperature configurable in steps of 0.5°C.
- Calibration of the temperature probe.
- NTC temperature sensor with 0.1°C accuracy.
- Consumption measurement.
- Responsible consumption indicator.
- PID regulation.

TECHNICAL DATA

Material	Aluminium
IP	20
Class	I
Power cable w/plug	1 m

Supply voltage	230 Vac 50Hz
Fixing kit w/template	Yes
Selectable setting range	5°C - 30°C
Safety thermal limiter	Yes

MINIMUM SAFETY DISTANCES



ELECTRIC THERMAL WIFI RADIATOR

TECHNICAL DATA SHEET



MODELS

Código	Potencia (w)	Nº Elem	Dimensiones (mm)	Dimensiones Embalaje (mm)	Peso Neto (Kg)	Peso Bruto (Kg)
SOL0500WI	500	3	335 x 580 x 95	391 x 641 x 126	7,0	7,62
SOL0750WI	750	4	415 x 580 x 95	471 x 641 x 126	8,9	9,62
SOL1000WI	1000	6	575 x 580 x 95	631 x 641 x 126	12,5	13,5
SOL1500WI	1500	9	815 x 580 x 95	871 x 641 x 126	17,7	18,79
SOL1800WI	1800	11	975 x 580 x 95	1031 x 641 x 126	21,3	22,54

CHARACTERISTICS

- Fluid radiator.
- Die-cast aluminium elements.
- Armoured steel heating element.
- Efficient consumption.
- Daily/weekly programming.
- Manual mode.
- Automatic mode (comfort, economic and anti-freeze).
- Open windows function.
- Early activation.
- Geolocation function.
- Invite users function.
- Keyboard lock.
- Consumption measurement.
- Power rationing.
- Temperature probe calibration.
- Temperature configurable in 0.5°C steps.
- NTC temperature sensor with 0.1°C accuracy.
- PID regulation.
- RF 868 Mhz.
- Voice control. Compatible with Amazon Alexa and Google Assistant.

TECHNICAL DATA

Material	Aluminium
IP	20
Class	I
Power cable w/plug	1 m

Supply voltage	230 Vac 50Hz
Fixing kit w/template	Yes
Selectable setting range	5°C - 30°C
Safety thermal limiter	Yes

MINIMUM SAFETY DISTANCES

